



US00D772379S

(12) **United States Design Patent**
Tadlock et al.

(10) **Patent No.:** **US D772,379 S**

(45) **Date of Patent:** **** Nov. 22, 2016**

(54) **INSERT FOR FLUID TREATMENT
CARTRIDGE WITH FLUID TREATMENT
CARTRIDGE**

(71) Applicants: **John W. Tadlock**, West Chicago, IL
(US); **Angelo Flamingo**, Ottawa, IL
(US); **Cheryl L. Panasik**, Elburn, IL
(US)

(72) Inventors: **John W. Tadlock**, West Chicago, IL
(US); **Angelo Flamingo**, Ottawa, IL
(US); **Cheryl L. Panasik**, Elburn, IL
(US)

(73) Assignee: **A. J. ANTUNES & CO.**, Carol Stream,
IL (US)

(**) Term: **14 Years**

(21) Appl. No.: **29/513,923**

(22) Filed: **Jan. 6, 2015**

(51) **LOC (10) Cl.** **23-01**

(52) **U.S. Cl.**
USPC **D23/209**

(58) **Field of Classification Search**
USPC D23/207, 209; 210/497.01, 493.1,
210/493.5, 483, 223, 232, 282
CPC B01D 29/111
See application file for complete search history.

(56) **References Cited**

U.S. PATENT DOCUMENTS

5,180,489	A *	1/1993	Bourgeois	B01D 29/232 210/172.2
6,180,909	B1 *	1/2001	Quick	B01D 29/111 210/493.2
6,464,863	B1 *	10/2002	Nguyen	B01D 35/027 210/167.03
6,706,182	B2 *	3/2004	Schuyler	B01D 29/21 210/237
7,030,391	B2 *	4/2006	Zagrobelyny	C02F 1/325 210/205
D526,044	S *	8/2006	Torichigai	D23/209

7,192,520	B1 *	3/2007	Fowler	B01D 35/06 184/6.25
7,329,342	B2 *	2/2008	Faria	B01D 29/15 184/6.25
7,665,546	B2 *	2/2010	Ruttley	B03C 1/286 166/265
7,837,875	B2 *	11/2010	Callaert	B01D 29/15 210/232
8,813,356	B2 *	8/2014	Wi	H01F 17/0013 210/222
D724,179	S *	3/2015	Keenan	D23/209
9,162,167	B2 *	10/2015	Brown	B01D 29/111

* cited by examiner

Primary Examiner — Robin V Webster

(74) *Attorney, Agent, or Firm* — Law Offices of Steven
W. Weinrieb

(57) **CLAIM**

The ornamental design for an insert for fluid treatment
cartridge with fluid treatment cartridge, as shown and
described.

DESCRIPTION

FIG. 1 is a left side elevational view of the insert showing
my new design;
FIG. 2 is a front elevational view thereof;
FIG. 3 is a rear elevational view thereof;
FIG. 4 is a right side elevational view thereof;
FIG. 5 is a top plan view thereof;
FIG. 6 is a bottom plan view thereof;
FIG. 7 is an exploded view showing the fluid treatment
cartridge and the inserts as they would be inserted onto side
wall portions of the fluid treatment cartridge;
FIG. 8 is a partial bottom perspective view of the cartridge
showing one of the inserts inserted onto a side wall portion
of the fluid treatment cartridge;
FIG. 9 is a right side perspective view showing one of the
inserts inserted onto a right side wall portion of the fluid
treatment cartridge; and,
FIG. 10 is a front elevational assembly view showing the
fluid treatment cartridge having the pair of inserts mounted
upon diametrically opposite side wall portions thereof.

1 Claim, 5 Drawing Sheets

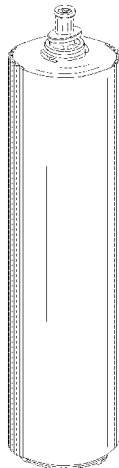




FIG. 5



FIG. 1

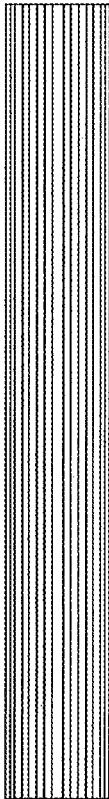


FIG. 2



FIG. 3



FIG. 4



FIG. 6

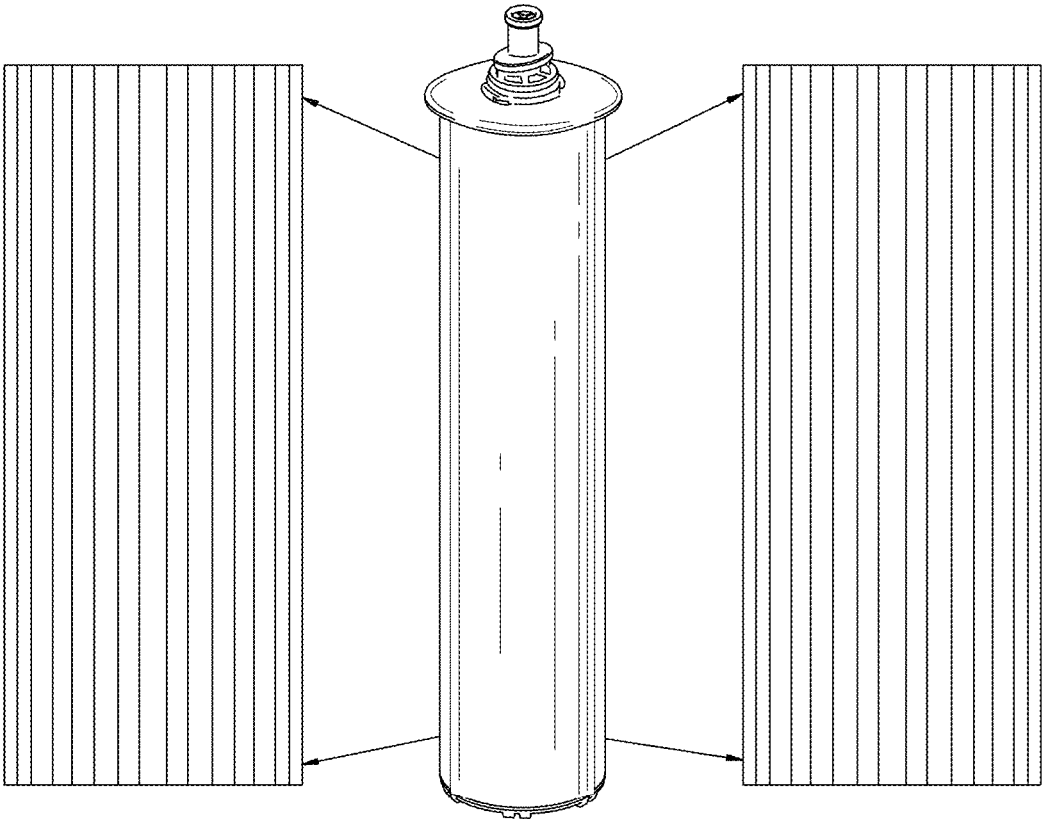


FIG. 7

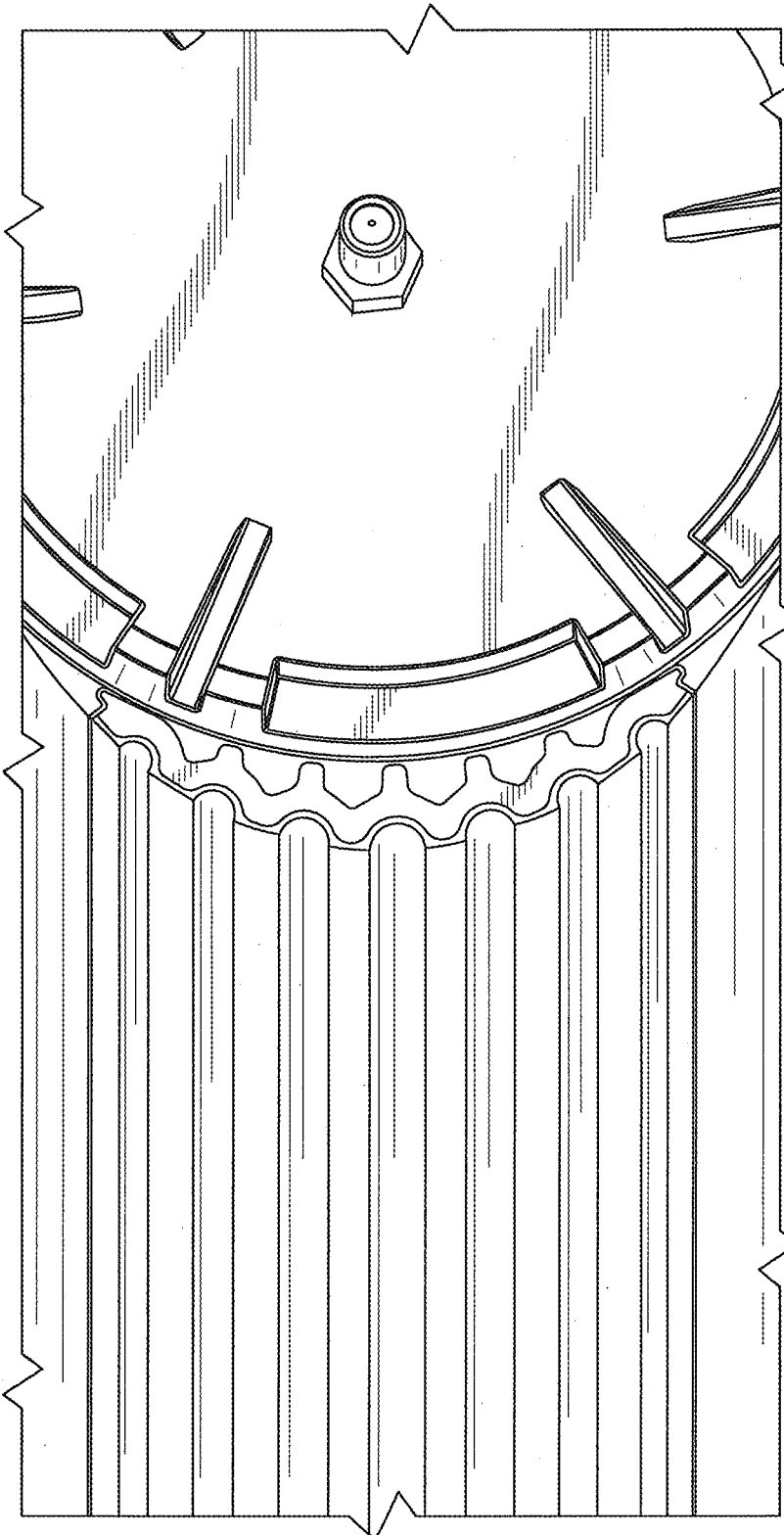


FIG. 8

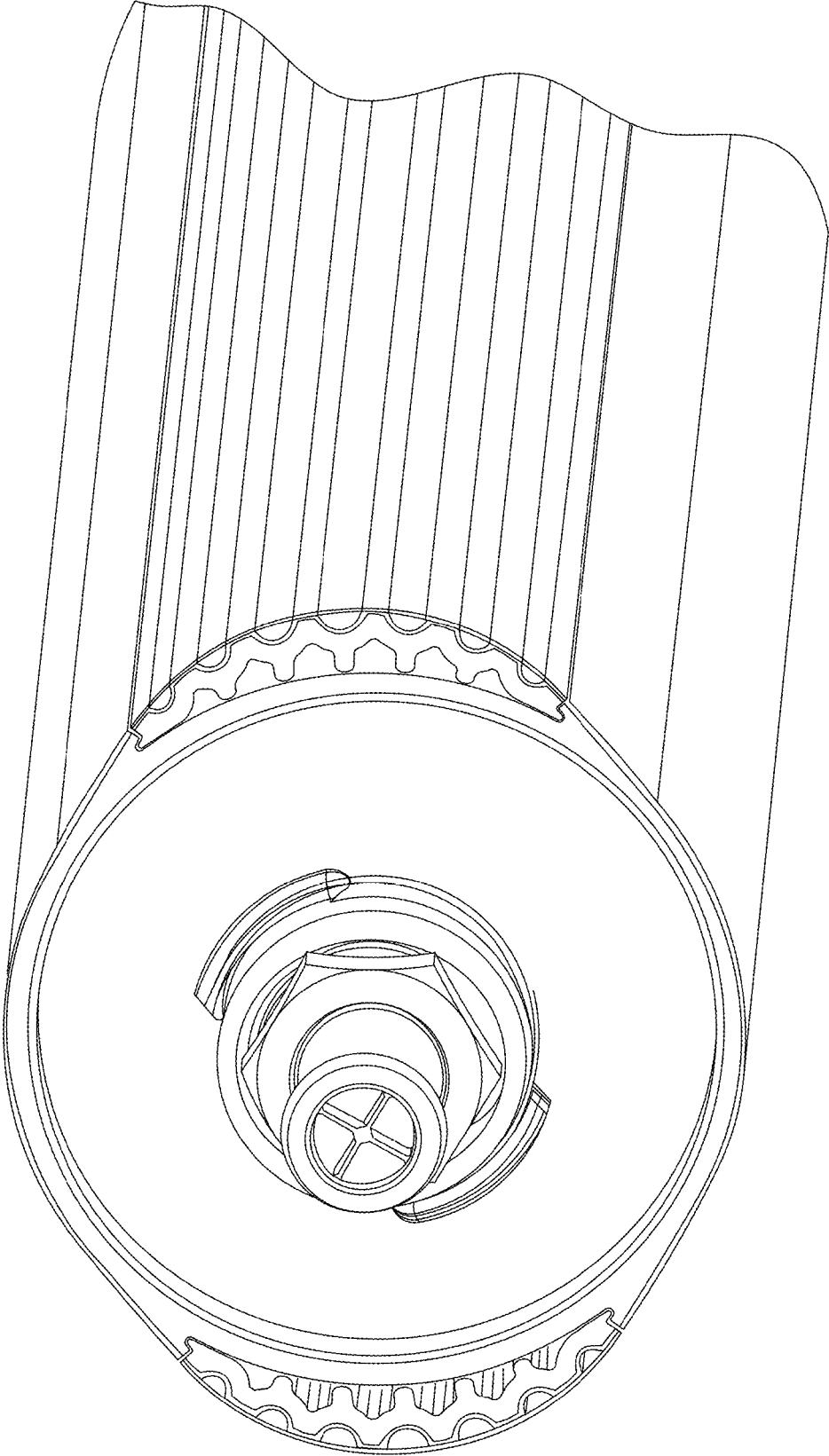


FIG. 9

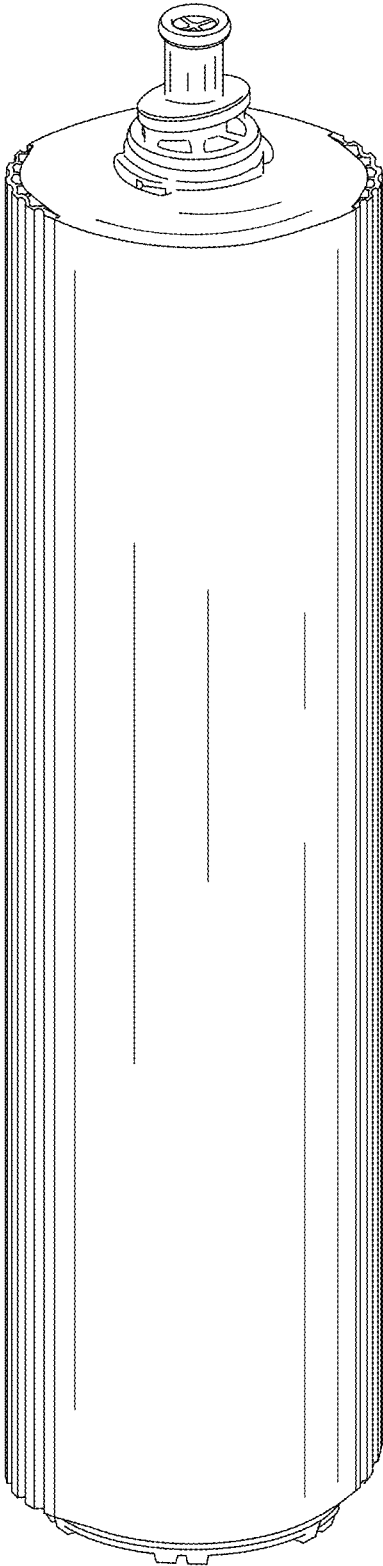


FIG. 10